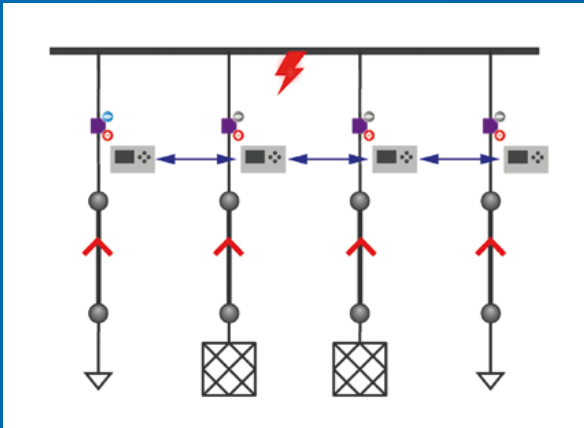
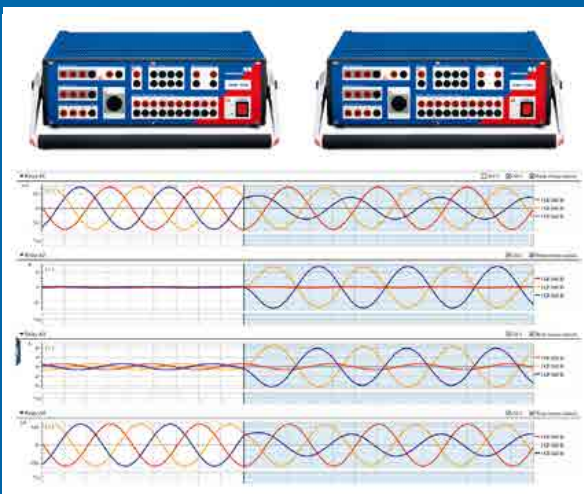


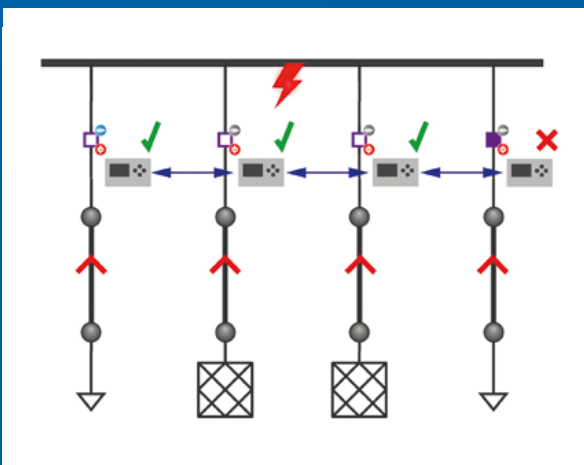
Transient simulation with RelaySimTest and CMC test sets



Modeling testing scenarios



Injecting of transient simulation



Assessing reactions of the protection system

News

# Enhanced Convenience

ADMO offers extended features for maintenance management



The new 3.1 version of ADMO now helps you keep track of different setting revisions and their statuses ("In Planning", "Issued", "Applied", and "Archived"). Each revision can include multiple related files, such as XRIO, short circuit calculation, load flow data, etc. In addition, ADMO makes setting files of the applied revision available for maintenance testing. Thanks to the lock/unlock function, you can lock a setting revision to avoid unintentional changes or usage of intermediate data by other users.

As a commissioning engineer, you can now also transfer applied and issued settings to the commissioning event. The revision status there can be changed directly.

Moreover, the new option for partial replication enables you to only take part of the server database with you, so you need less space on your notebook and the process is faster.