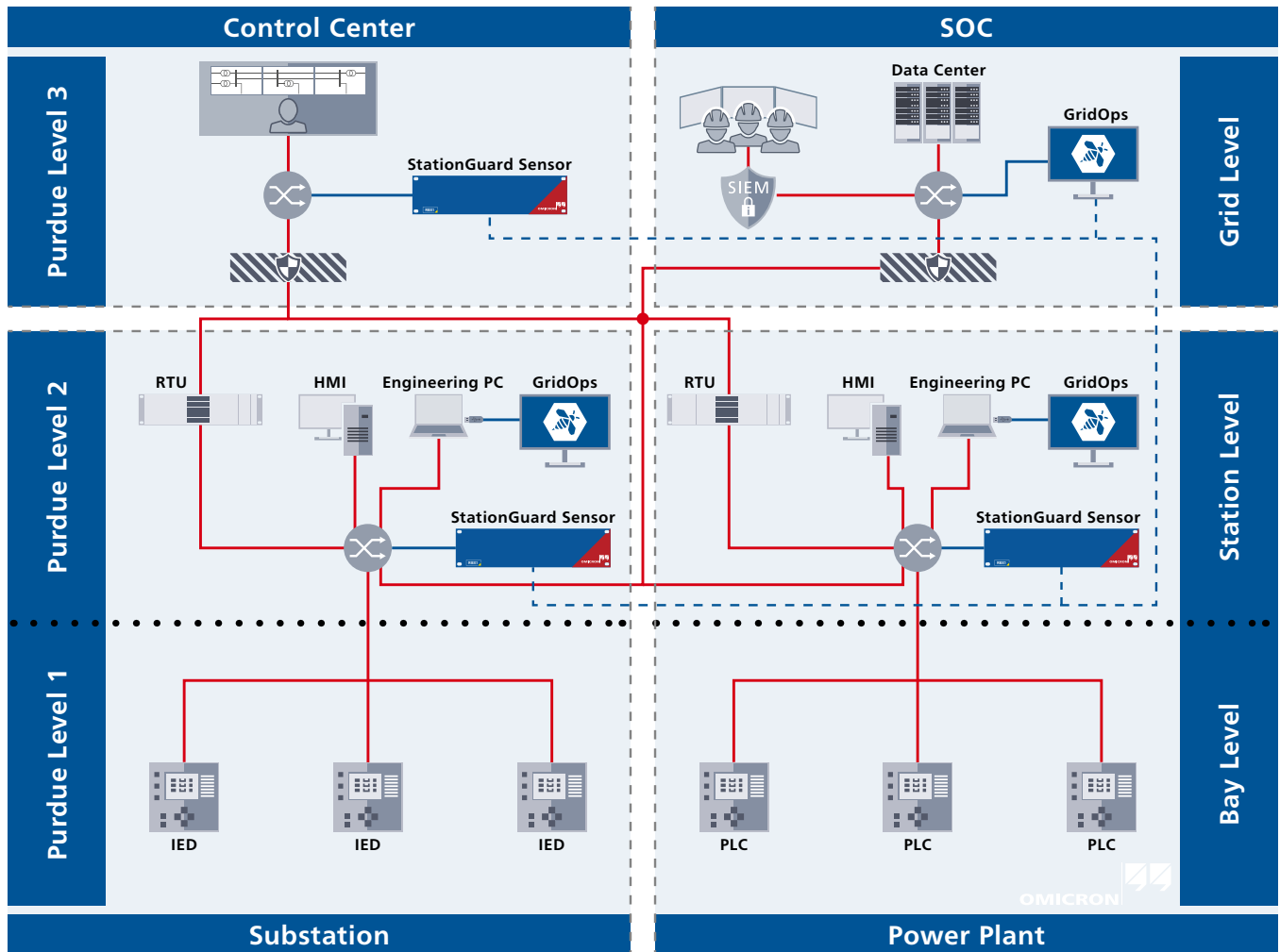


Easy Integration into Your Power Plants, Substations, SOC, and Control Centers



StationGuard Deployment Diagram

What is our StationGuard Solution comprised of?

The **StationGuard** sensors can be installed in control centers, power plants, and substations for implementing intrusion detection, network visualization, asset discovery, and monitoring the correct function of power utility automation systems. The StationGuard sensor allows for flexible deployment:

- > RBX: 19" platform for a permanent installation
- > VBX: Virtualized Platform
- > MBX: Mobile platform for temporary usage or permanent installation on a DIN rail

The **GridOps** component is the central management system for StationGuard. It provides functions for asset inventory management, vulnerability management, event analysis and alerts and managing the sensors. Its main feature is a single platform for visualizing of cybersecurity risks, threats and monitoring assets and events (cybersecurity as well as functional) across the grid.

GridOps can be installed at a control center or at a Security Operations Center (SOC) to centrally manage all StationGuard IDS sensors from a single location.

StationGuard on RBX platform

Running StationGuard on the RBX hardware is a tailor-made IDS solution for protecting utility automation and SCADA systems against cyber threats and zero-day attacks. The 19"-rack-mountable RBX platform is made for harsh power grid environments. It has enough performance and memory to record all events and associated traffic, even though the event may have occurred a long time ago.

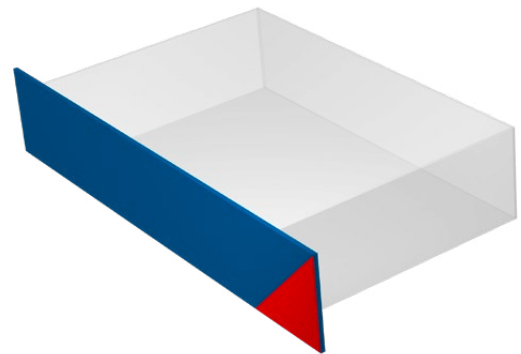
The RBX comes with unmatched security features like full disk encryption, an ISO/IEC 11889 compliant cryptoprocessor chip and a customized secure (UEFI BIOS). It also includes Binary outputs that easily integrate IDS alerts into the SCADA signal list.



StationGuard on VBX platform

The StationGuard sensors are also available as a virtual appliance that can be installed on existing computing platforms.

Like the hardware platforms, the virtual variant can also run completely independently, recording and logging events even without a permanent connection to the central server. Please note that on virtual machines, there may be technical limitations when it comes to functional monitoring of process bus applications, compared with StationGuard on the RBX and MBX platforms.



StationGuard on MBX platform

With the mobile version of StationGuard you can perform a quick security assessment of a plant network, or quickly generate an asset inventory list from all devices in the network.

During the commissioning or maintenance phases, many engineers and external service providers connect their equipment to the vulnerable plant network. StationGuard on the MBX is perfectly suited for temporarily monitoring the network during this period to alert you to prohibited behavior and to record critical actions during commissioning and maintenance.

Optionally, the portable MBX hardware unit can also be installed permanently via the included DIN rail mounts.

